



LIFE08 ENV/H/000292

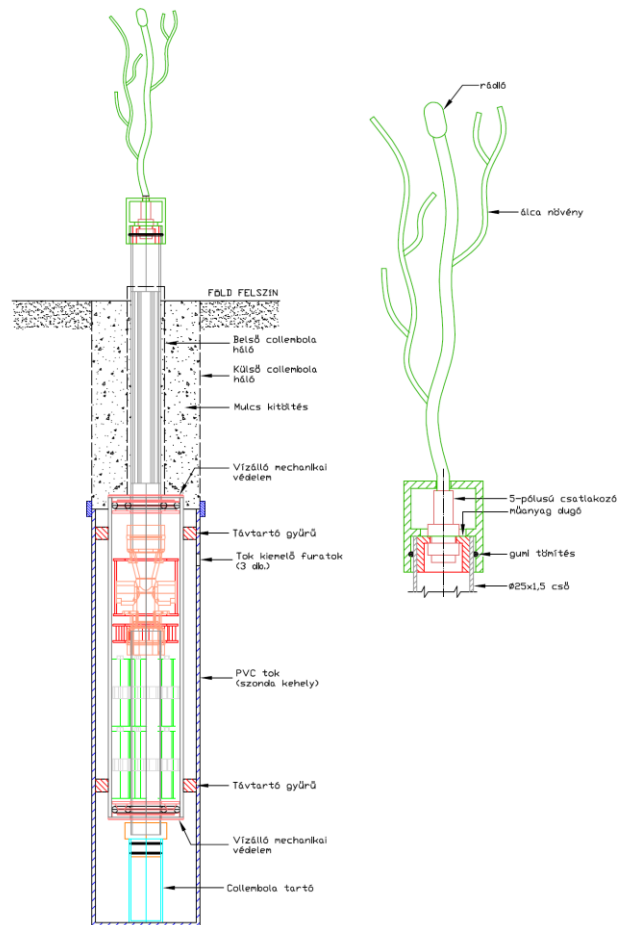
Monitoring Soil Biological Activity by using a novel tool:  
EDAPHOLOG System

# Az EDAPHOLOG szenzor mechanikai átalakításának bemutatása

Hambek Tibor, DeákDelta



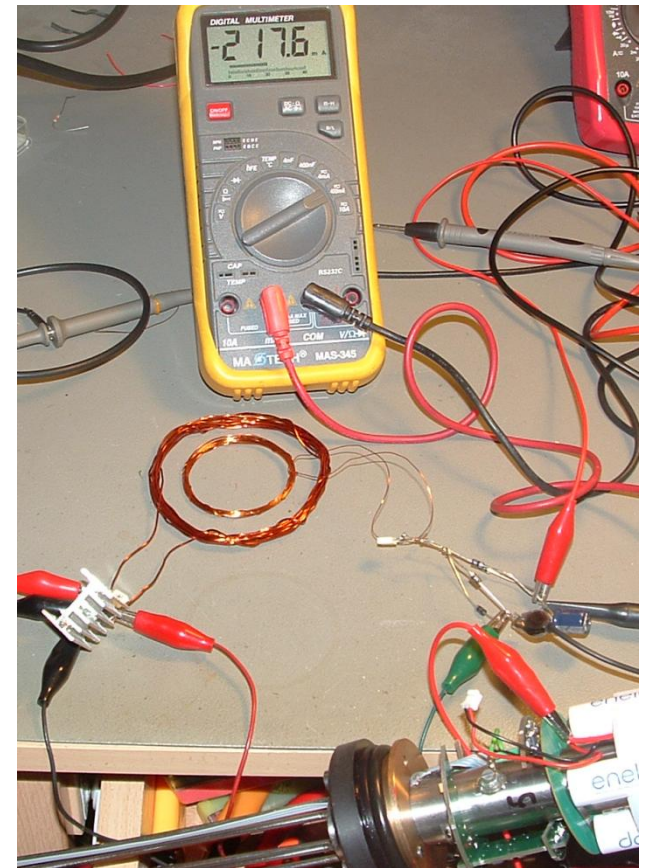
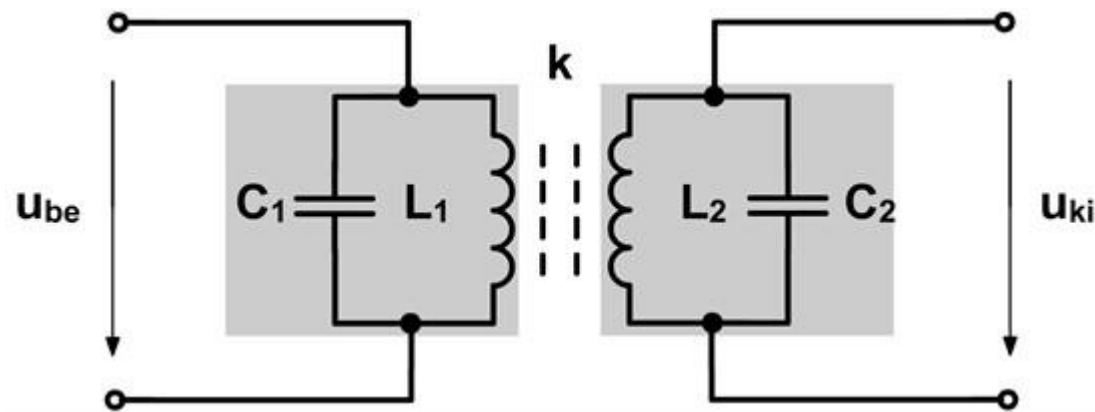
MEDAPHON WORKSHOP  
2011.10.04.



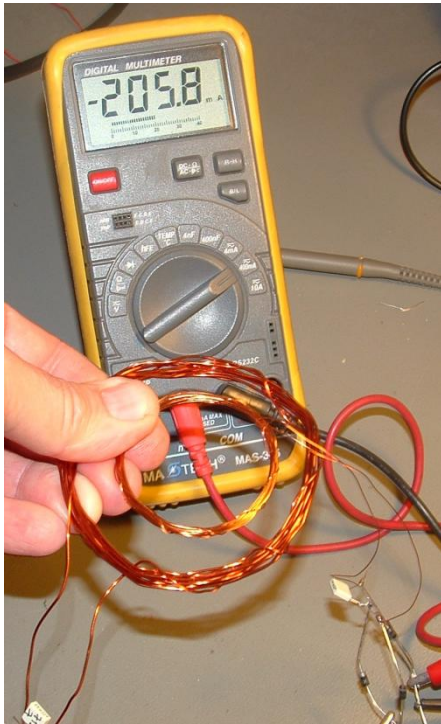


MEDAPHON WORKSHOP  
2011.10.04.

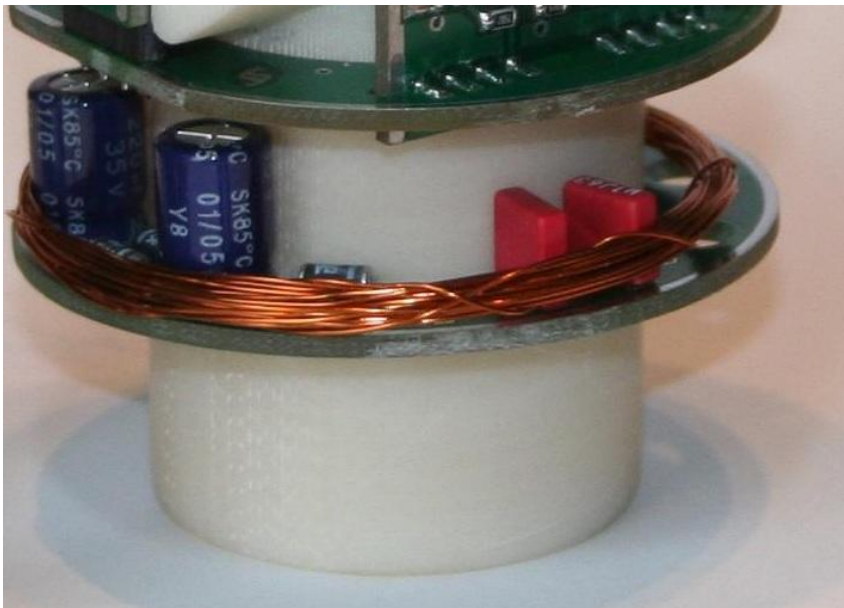
# Inductive coupling and a desktop model for the inductive coupling wireless charging system



# Changes of output power caused by energy loss due to eddy current



# Desktop model of the primary winding in inductive coupling



- **Specifications:**
- Input voltage: 24VDC
- Input current: 0,6A
- Charging current: 0,2A
- Charging time: 24h



**LIFE08 ENV/H/000292**

**Monitoring Soil Biological Activity by using a novel tool:  
EDAPHOLOG System**

**Köszönöm a figyelmet!**